

Taps x-tap

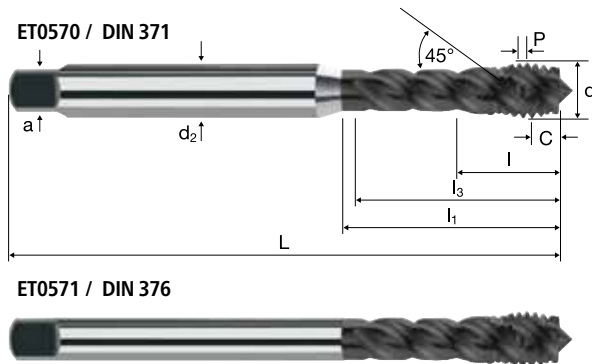


M ISO 2 (6H)

HSS PM/F

DIN 371/376

X-P Form C







ET0571 / DIN 376

ToolSchool EC10550 / EC10551

M

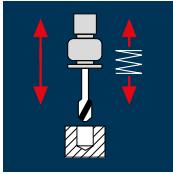
Inox Stainless

Example: Order-N°.										Article-N°. a-Code		TRIBO	
										ET0570		ET0570	
Ø Code	d	P	L	l	l ₁	l ₃	d ₂	a					
034	M 2	0.40	45	8.00	-	10.5	2.8	2.1	3	1.70*			●
040	M 2.5	0.45	50	9.00	-	13.0	2.8	2.1	3	2.10			●
044	M 3	0.50	56	5.00	-	16.0	3.5	2.7	3	2.60*			●
058	M 4	0.70	63	7.00	-	19.0	4.5	3.4	3	3.40			●
084	M 5	0.80	70	8.00	-	23.0	6.0	4.9	3	4.30			●
088	M 6	1.00	80	10.00	-	28.0	6.0	4.9	3	5.10			●
160	M 8	1.25	90	13.00	35.0	33.0	8.0	6.2	3	6.90			●
174	M 10	1.50	100	15.00	39.0	37.0	10.0	8.0	4	8.60			●

Example: Order-N°.										Article-N°. a-Code		TRIBO	
										ET0571		ET0571	
Ø Code	d	P	L	l	l ₁	l ₃	d ₂	a					
240	M 12	1.75	110	18.00	50.0	48.0	9.0	7.0	4	10.40			●
244	M 14	2.00	110	20.00	58.0	56.0	11.0	9.0	4	12.20			●
246	M 16	2.00	110	20.00	58.0	56.0	12.0	9.0	4	14.20			●
312	M 18	2.50	125	25.00	65.0	63.0	14.0	11.0	4	15.70			●
314	M 20	2.50	140	25.00	72.0	70.0	16.0	12.0	4	17.70			●
316	M 22	2.50	140	25.00	72.0	70.0	18.0	14.5	5	19.70			●
320	M 24	3.00	160	30.00	74.0	72.0	18.0	14.5	5	21.20			●

* The given dimension is out of norm

Application



Material

Stainless steel
ferritic/martensitic



Stainless steel
ferritic/martensitic



Stainless steel
[Cr-Ni/1.4301]



Stainless steel
[Cr-Ni/1.4301]



Stainless steel
[Cr-Ni-Mo-.../1.4571]



Stainless steel
[Cr-Ni-Mo-.../1.4571]



Heat resistant steel
[17-4PH]



Heat resistant steel
[17-4PH]



M	d [mm]	P [mm]	v_c 1.0 x d			v_c 1.5 x d			v_c 2.0 x d		
			n [min ⁻¹]	v_f [100%]	n [min ⁻¹]	v_f [100%]	n [min ⁻¹]	v_f [100%]	n [min ⁻¹]	v_f [100%]	
M2	2.000	0.40	10	1590	636	8	1275	510	6	955	382
M2.5	2.500	0.45	10	1275	574	8	1020	459	6	765	344
M3	3.000	0.50	10	1060	530	8	850	425	6	635	318
M4	4.000	0.70	10	795	557	8	635	445	6	475	333
M5	5.000	0.80	10	635	508	8	510	408	6	380	304
M6	6.000	1.00	10	530	530	8	425	425	6	320	320
M8	8.000	1.25	10	400	500	8	320	400	6	240	300
M10	10.000	1.50	10	320	480	8	255	383	6	190	285
M12	12.000	1.75	10	265	464	8	210	368	6	160	280
M14	14.000	2.00	10	225	450	8	180	360	6	135	270
M16	16.000	2.00	10	200	400	8	160	320	6	120	240
M18	18.000	2.50	10	175	438	8	140	350	6	105	263
M20	20.000	2.50	10	160	400	8	125	313	6	95	238
M22	22.000	2.50	10	145	363	8	115	288	6	85	213
M24	24.000	3.00	10	135	405	8	105	315	6	80	240
M2	2.000	0.40	5	795	318	4	635	254	3	475	190
M2.5	2.500	0.45	5	635	286	4	510	230	3	380	171
M3	3.000	0.50	5	530	265	4	425	213	3	320	160
M4	4.000	0.70	5	400	280	4	320	224	3	240	168
M5	5.000	0.80	5	320	256	4	255	204	3	190	152
M6	6.000	1.00	5	265	265	4	210	210	3	160	160
M8	8.000	1.25	5	200	250	4	160	200	3	120	150
M10	10.000	1.50	5	160	240	4	125	188	3	95	143
M12	12.000	1.75	5	135	236	4	105	184	3	80	140
M14	14.000	2.00	5	115	230	4	90	180	3	70	140
M16	16.000	2.00	5	100	200	4	80	160	3	60	120
M18	18.000	2.50	5	90	225	4	70	175	3	55	138
M20	20.000	2.50	5	80	200	4	65	163	3	50	125
M22	22.000	2.50	5	70	175	4	60	150	3	45	113
M24	24.000	3.00	5	65	195	4	55	165	3	40	120
M2	2.000	0.40	6	955	382	5	795	318	4	635	254
M2.5	2.500	0.45	6	765	344	5	635	286	4	510	230
M3	3.000	0.50	6	635	318	5	530	265	4	425	213
M4	4.000	0.70	6	475	333	5	400	280	4	320	224
M5	5.000	0.80	6	380	304	5	320	256	4	255	204
M6	6.000	1.00	6	320	320	5	265	265	4	210	210
M8	8.000	1.25	6	240	300	5	200	250	4	160	200
M10	10.000	1.50	6	190	285	5	160	240	4	125	188
M12	12.000	1.75	6	160	280	5	135	236	4	105	184
M14	14.000	2.00	6	135	270	5	115	230	4	90	180
M16	16.000	2.00	6	120	240	5	100	200	4	80	160
M18	18.000	2.50	6	105	263	5	90	225	4	70	175
M20	20.000	2.50	6	95	238	5	80	200	4	65	163
M22	22.000	2.50	6	85	213	5	70	175	4	60	150
M24	24.000	3.00	6	80	240	5	65	195	4	55	165
M2	2.000	0.40	4	635	254	3	475	190	-	-	-
M2.5	2.500	0.45	4	510	230	3	380	171	-	-	-
M3	3.000	0.50	4	425	213	3	320	160	-	-	-
M4	4.000	0.70	4	320	224	3	240	168	-	-	-
M5	5.000	0.80	4	255	204	3	190	152	-	-	-
M6	6.000	1.00	4	210	210	3	160	160	-	-	-
M8	8.000	1.25	4	160	200	3	120	150	-	-	-
M10	10.000	1.50	4	125	188	3	95	143	-	-	-
M12	12.000	1.75	4	105	184	3	80	140	-	-	-
M14	14.000	2.00	4	90	180	3	70	140	-	-	-
M16	16.000	2.00	4	80	160	3	60	120	-	-	-
M18	18.000	2.50	4	70	175	3	55	138	-	-	-
M20	20.000	2.50	4	65	163	3	50	125	-	-	-
M22	22.000	2.50	4	60	150	3	45	113	-	-	-
M24	24.000	3.00	4	55	165	3	40	120	-	-	-