

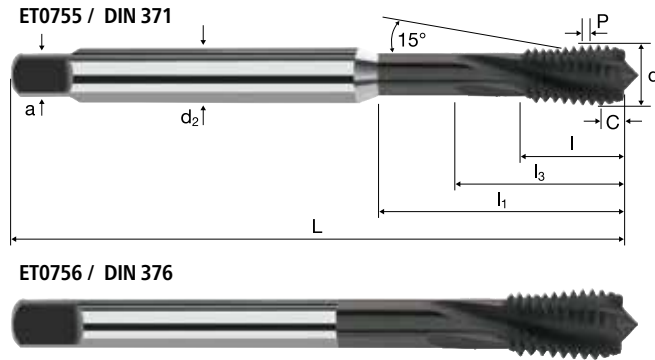
Taps titap



M **ISO 2 (6H)**

HSS PM/F

Form C



M

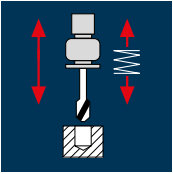


Example: Order-N°.											Article-N°. a-Code		TRIBO			
Example: Order-N°.											ET0755		034		ET0755	
Ø Code	d	P	L	l	l ₁	l ₃	d ₂	a								
034	M 2	0.40	45	8.00	-	10.5	2.8	2.1	3	1.70*				●		
040	M 2.5	0.45	50	9.00	-	13.0	2.8	2.1	3	2.10				●		
044	M 3	0.50	56	5.00	18.0	16.0	3.5	2.7	3	2.60*				●		
056	M 3.5	0.60	56	6.00	20.0	18.0	4.0	3.0	3	3.00				●		
058	M 4	0.70	63	7.00	21.0	19.0	4.5	3.4	3	3.40				●		
084	M 5	0.80	70	8.00	25.0	23.0	6.0	4.9	3	4.30				●		
088	M 6	1.00	80	10.00	30.0	28.0	6.0	4.9	3	5.10				●		
160	M 8	1.25	90	13.00	35.0	33.0	8.0	6.2	3	6.90				●		
174	M 10	1.50	100	15.00	39.0	37.0	10.0	8.0	4	8.60				●		

Example: Order-N°.											Article-N°. a-Code		TRIBO			
Example: Order-N°.											ET0756		240		ET0756	
Ø Code	d	P	L	l	l ₁	l ₃	d ₂	a								
240	M 12	1.75	110	18.00	50.0	48.0	9.0	7.0	4	10.40				●		
244	M 14	2.00	110	20.00	58.0	56.0	11.0	9.0	4	12.20				●		
246	M 16	2.00	110	20.00	58.0	56.0	12.0	9.0	4	14.20				●		
312	M 18	2.50	125	25.00	65.0	63.0	14.0	11.0	5	15.70				●		
314	M 20	2.50	140	25.00	72.0	70.0	16.0	12.0	5	17.70				●		
316	M 22	2.50	140	25.00	72.0	70.0	18.0	14.5	5	19.70				●		
320	M 24	3.00	160	30.00	74.0	72.0	18.0	14.5	5	21.20				●		

* The given dimension is out of norm

Application



Material

Titanium alloys
> 300 HB
[Ti6Al4V]



Titanium alloys
> 300 HB
[Ti6Al4V]



M	d [mm]	P [mm]	v_c 1.0 x d			v_c 1.5 x d		
			n [min ⁻¹]	v_f [100%]	v_c 1.0 x d	n [min ⁻¹]	v_f [100%]	
M 2	2.000	0.40	4	635	254	3	475	190
M 2.5	2.500	0.45	4	510	230	3	380	171
M 3	3.000	0.50	5	530	265	4	425	213
M 3.5	3.500	0.60	5	455	273	4	365	219
M 4	4.000	0.70	5	400	280	4	320	224
M 5	5.000	0.80	5	320	256	4	255	204
M 6	6.000	1.00	5	265	265	4	210	210
M 8	8.000	1.25	5	200	250	4	160	200
M 10	10.000	1.50	5	160	240	4	125	188
M 12	12.000	1.75	5	135	236	4	105	184
M 14	14.000	2.00	5	115	230	4	90	180
M 16	16.000	2.00	5	100	200	4	80	160
M 18	18.000	2.50	5	90	225	4	70	175
M 20	20.000	2.50	5	80	200	4	65	163
M 22	22.000	2.50	5	70	175	4	60	150
M 24	24.000	3.00	5	65	195	4	55	165